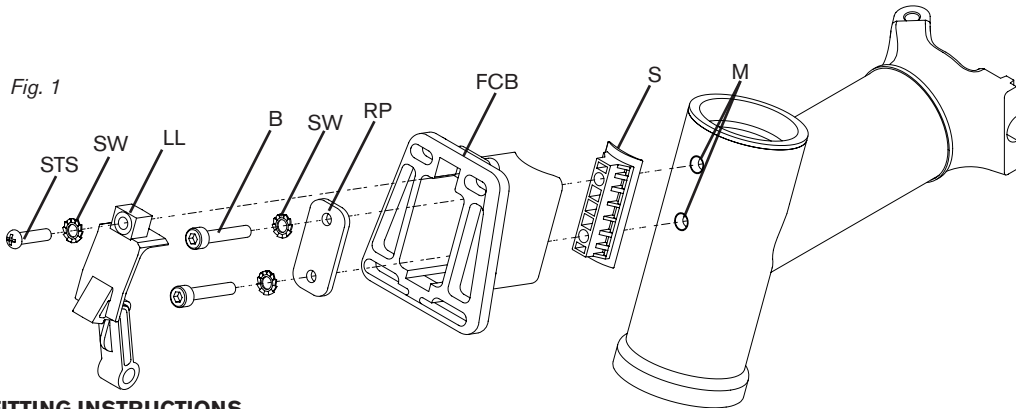


## FRONT CARRIER BLOCK - FOR T LINE

### IMPORTANT INFORMATION

- Check that you have all the parts shown (fig. 1)
- If fitting for the first time, remove the two screws in the mounting holes M on the front of the headtube
- It is vital that you do not omit either of the serrated washers SW when fitting the retaining plate RP and that the correct torque is used on the screws STS
- The blue patches on the screws are there to lock them in place; do not tamper with, remove or expose this patch to moisture as the locking action will be greatly reduced
- The screws should not be re-fitted after the initial installation; the blue patch will not function correctly
- The screws should be replaced with the correct Brompton replacement parts.

Fig. 1



### FITTING INSTRUCTIONS

- You need a 4mm hex-key and a Posidriv screw-driver. Assemble the retaining plate RP and one of the bolts B, together with its serrated washer SW into the front of the carrier block body FCB followed by the spacer S
- Attach this to the head tube on the bicycle; orientate correctly (fig.1)
- Insert the first bolt by two to three turns, do not tighten fully
- Insert the second bolt with serrated-washer, tighten by two to three turns
- Finally tighten both bolts firmly to a Torque of **4.5Nm**
- Feed the bottom end of the latch lever LL through the hole in the base of the FCB and then, holding the bottom of the LL, position the top of the LL inside the FCB
- Feed the self-tapping screw STS through the hole in the LL and tighten firmly.

The maximum load of the front carrier block is 10kg. Do not exceed the maximum load for the front luggage or modify the front carrier block or front luggage frame. Ensure that when carrying luggage you do not exceed the maximum load for the bicycle (including luggage and rider) of 110Kg. The fixings of the front carrier block should be checked regularly. The front carrier block is not suitable for mounting of a child seat. Do not attempt to carry luggage anywhere else on the bicycle. The bike is not designed to pull a trailer.

When the luggage carriers are loaded, the bicycle may behave differently, steering and braking may be affected. Luggage should be loaded evenly.

Before riding ensure that the front bag and front carrier block are secure and there are no loose straps or items of luggage that could get caught in the wheels of the bicycle.

Ensure that any luggage fitted does not obscure the reflectors and any lighting fitted to the bike.

This luggage carrier is only compatible with a Brompton bicycle and Brompton luggage & luggage frames. This luggage carrier is not compatible with a Brompton Electric bicycle or Brompton Electric luggage. Only luggage carriers and luggage manufactured or distributed by Brompton Bicycle Ltd should be used with the Brompton bike.