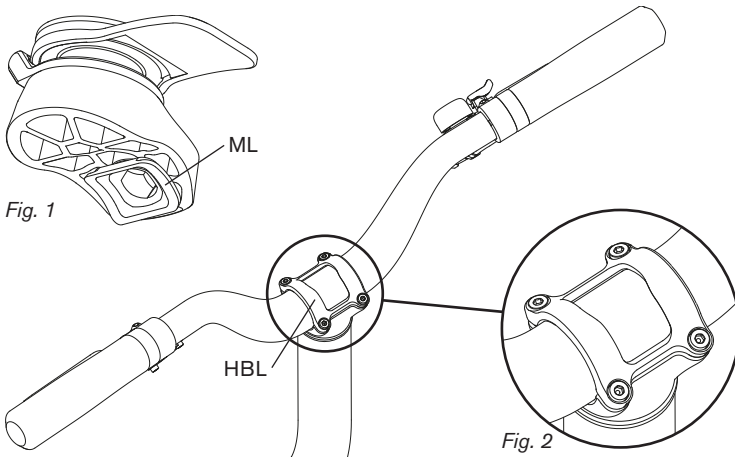


INTEGRATED PHONE MOUNT FOR T LINE

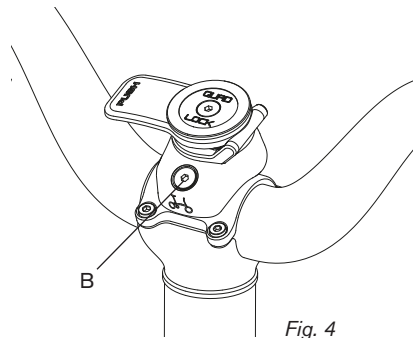
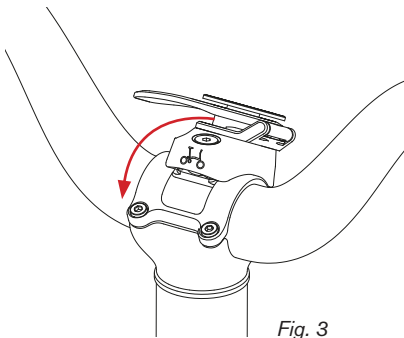
IMPORTANT INFORMATION

- For best results / optimum angle, we recommend using phones up to: 145x71x8mm (150x74x9mm with a case) / 5.8" screen (dimensions based on iPhone XS)
- The maximum size for phone compatibility on a Mid Rise Handlebar is: 162x73x8mm (167x76x9mm with a case) / 6.7" screen (dimensions based on Samsung Galaxy S20 Plus). Low Rise Handlebar can fit any size phone
- When used with an Mid Rise Handlebar, phone can only be used in portrait orientation
- Ensure that the phone is removed before folding the bike
- Do not attach any cables to the phone while it is mounted to the bike as this could cause obstruction



FITTING PROCESS

On the underside of the mount (fig. 1), there is a mount lug ML which fits into the recess on the handlebar lug HBL (fig. 2). Insert the mount into this recess (fig. 3), with the lever on the mount positioned on the non-drive side (left hand side when viewed from riding position). Slide the mount forward into position (fig. 4), and then partially tighten the bolt B, allowing some movement for adjustments.



Install a Quad Lock compatible phone to the mount by holding it directly above the mount at a 45 degree angle, apply downward pressure and twist (in portrait orientation only on Mid Rise Handlebars).

Using the mounted phone as a guide, move the mount to the optimal viewing angle for riding. Ensure there is enough clearance for twisting the phone to a 45 degree angle, this is important for mounting and removing the phone (on Mid Rise Handlebars only). Remove the phone, and tighten the bolt B to 1.5Nm.

To remove the mount, loosen the bolt B by a few turns, then slide the mount back and lift it out of the HBL.

