

REAR RACK FITTING

IMPORTANT INFORMATION

- In 2016 a new set of rollers were introduced for R version bikes
- These rollers are compatible with R version bikes and racks with 6mm mounting holes, part QRCC[2]
- These rollers use 6mm fixings, they are not compatible with pre-2016 racks (QRCC) , which use 5mm holes

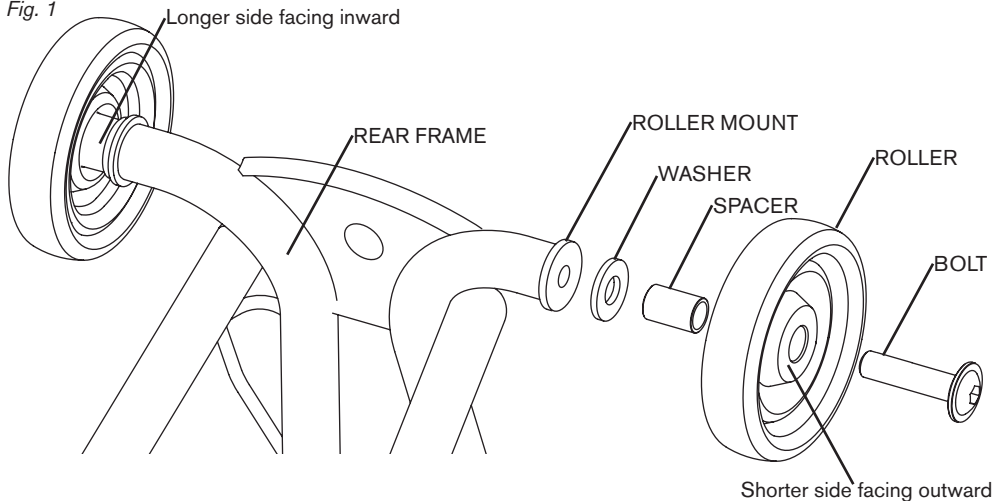
This luggage rack is only compatible with the Brompton bicycle. It can be used with both Steel and Titanium Brompton rear frames. The load capacity of the rack is 10kg. Ensure that when carrying luggage you do not exceed the maximum load for the bicycle (including luggage and rider) of 110Kg. Using incorrect luggage may interfere with steering and could be dangerous.

FITTING THE FORWARD ROLLERS

If you are fitting the complete rack set and new rollers (QRCA[2] 9039012) you will need to replace the forward rollers, if replacing the carrier platform only, skip this section.

- Remove the existing rollers by unscrewing the fixing bolts from the centre
- The new rollers should be fitted to the rear frame as shown (fig. 1) fit the supplied thick washers between the roller mount and the spacer, do not use the thinner washers supplied
- Use the shorter of the two supplied pairs of bolts, which have a blue threadlock patch on the threads
- The roller is not symmetrical, the longer side of the central hub (fig. 2) should face inwards towards the roller mount, with the shorter side facing the head of the bolt

Fig. 1



Longer side facing inward

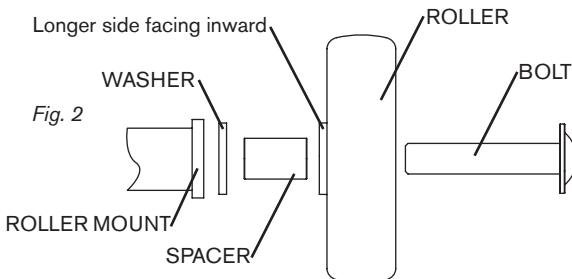


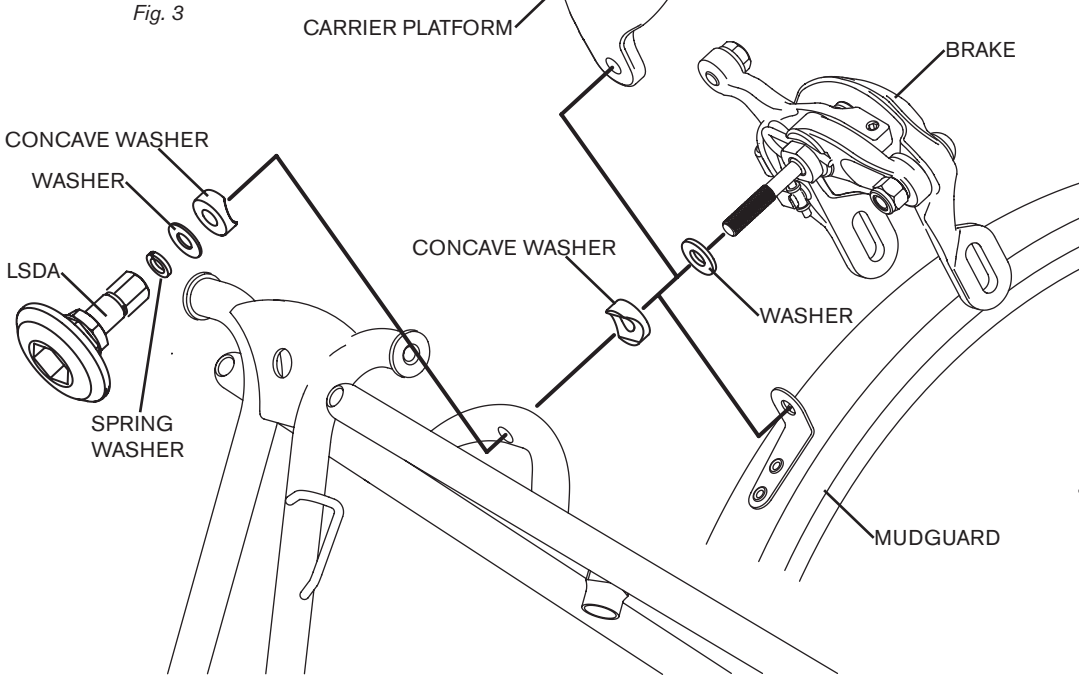
Fig. 2



FITTING THE CARRIER PLATFORM

Before starting it is worth removing the rear wheel from the bike in order to make it easier to fit the rack, for information on removing the rear wheel please see datasheet **ds-rw**. If you are fitting the carrier platform to a bike which does not already have one fitted, you will need to remove the existing mudguard rear brake and lower stop disc assembly from the bike.

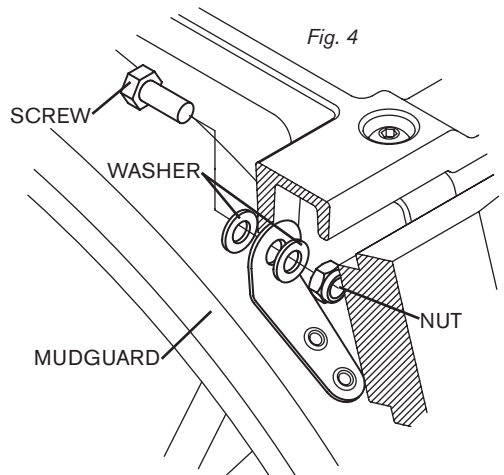
Fit the parts onto the rear frame as shown (fig. 3) ensuring that all components are assembled in the correct order and tighten the LSDA to 10Nm.



MUDGUARD REAR MOUNTING POINT

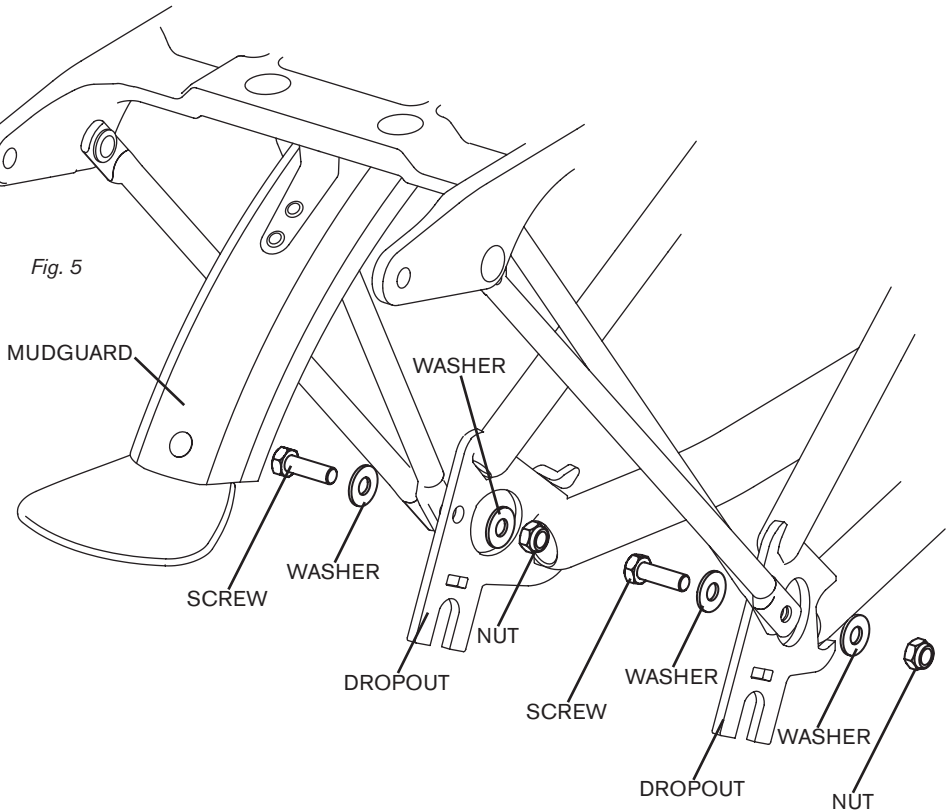
The mudguard mounts to the rack in two positions, the forward mount (fig. 3) at the brake/rear frame interface, as well as another mounting point at the rear (fig. 4, 5) of the rack.

The mudguard should be attached to this point by an M5x12 screw, two M5 washers and M5 Nyloc nut as shown (fig. 4), tightened to 3Nm. Take care when tightening the nut to ensure the mudguard does not twist and stays aligned with the rack.



MOUNTING THE STAYS

The carrier stays mount to the dropout plates of the rear frame (fig. 5) with two M5x16 screws (A2-70 stainless DIN933) and along with a pair of washers and nyloc nut per side. It is important to ensure they are fitted in the correct orientation as shown, with the right hand (driveside) screw-head being on the inside of the dropout plate and the left hand (non-driveside) screw head in the opposite orientation on the outside. The mounting screws should be tightened to 3Nm.



WARNING

The maximum load of the rear rack is 10kg, the maximum load of the front carrier block is 10kg. Do not exceed the maximum load for the front and rear luggage or modify the rear rack, front carrier block or front luggage frame. The fixings of the front carrier block and rear rack should be checked regularly. The front carrier block and rear rack are not suitable for mounting of a child seat. Do not attempt to carry luggage anywhere else on the bicycle. The bike and rear rack are not designed to pull a trailer.

When the luggage carriers are loaded the bicycle may behave differently, steering and braking may be affected. Luggage should be loaded evenly.

Before riding ensure that the front bag, front carrier block, rear rack and rear bag are secure and there are no loose straps or items of luggage that could get caught in the wheels of the bicycle.

Ensure that any luggage fitted does not obscure the reflectors and any lighting fitted to the bike.

The Brompton rear rack and rear luggage are only compatible with Brompton & Brompton Electric bikes. Only luggage carriers and luggage manufactured or distributed by Brompton Bicycle Ltd should be used with the Brompton bike.

FITTING THE RACK ROLLERS

The rack rollers should be assembled as shown (fig. 6, 7), with the right hand roller positioned on the outside and the left hand inboard of the rack. This ensures the smallest foled package and maximum stability.

- The left hand roller should be assembled with one thin and one thick washer between it and the rack (fig. 7)
- Both rollers should be mounted with the longer side of the central hub facing the rack

Fig. 6

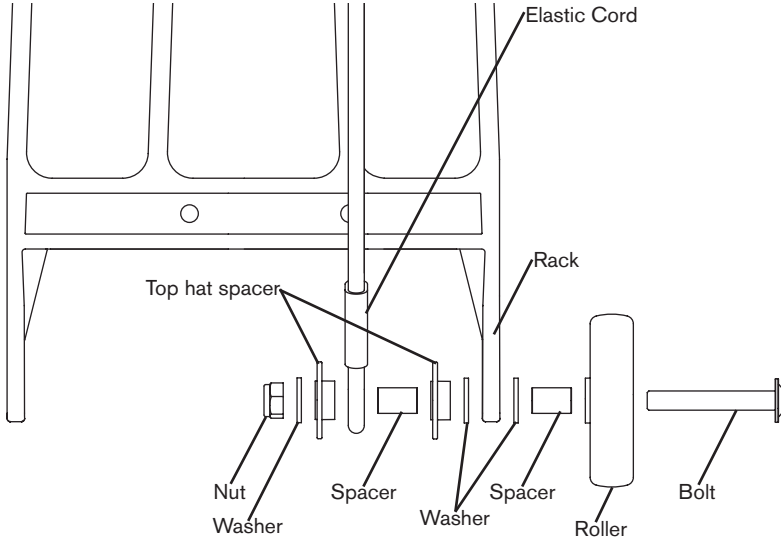
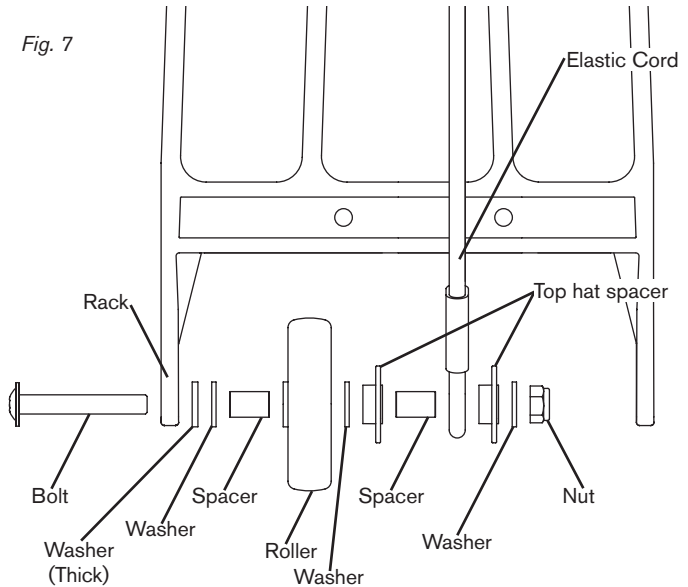


Fig. 7



SEATPOST BUNG FITTING

The bung (fig. 8) can be fitted without tools and is compatible with all configurations of bike. It is easiest to remove and install the bung while the bike is folded (fig. 9), carefully lift the bike onto a suitable bench or table and then gently put the bike onto its side, so that the bottom of the post is accessible.

If fitted, remove the old bung (fig. 10) by loosening the centre bolt (5mm hex) by several turns and pushing it into the bung. This will release the clamping cone and allow you to pull the bung from the bottom of the tube.

Fit the new bung by simply pressing the ribbed end into the bottom of the seatpost as shown (fig. 11) making sure that the ribbed section is inserted all the way up to the edge. Once fitted you can use the bike as normal.

Fig. 8

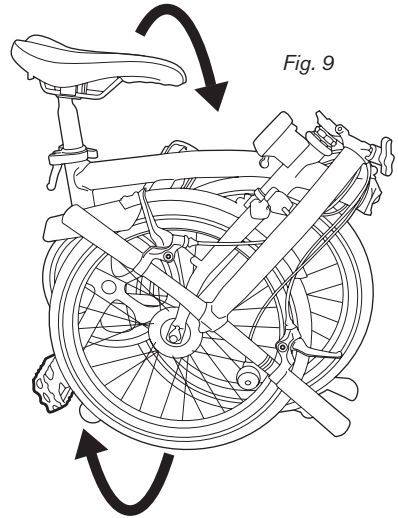
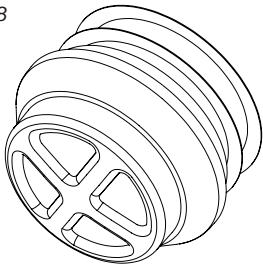


Fig. 9

Fig. 10

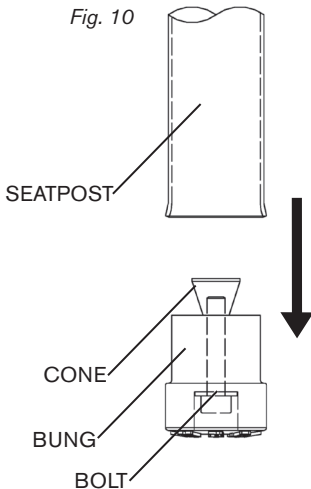


Fig. 11

