

## ROLLER RACK STRAPS

### IMPORTANT INFORMATION

- It is vital that you follow the correct fitting procedure and tighten all fixings correctly
- If you are unsure of the correct fitting process please consult your Brompton dealer or Brompton Customer Service [support@brompton.co.uk](mailto:support@brompton.co.uk)
- Should you require more information, please see [www.brompton.com/support/accessories](http://www.brompton.com/support/accessories)

### ASSEMBLY

There is a left and right version of each strap, indicated by an L and R on the retention block (fig. 1). Ensure that they are placed in the correct orientation on the roller rack (fig. 2). Attach the retention blocks to the roller rack using the M4x20 screws S1 in the position shown (fig. 2).

Attach the rack strap protectors RSP to the roller rack using the M4x12 screws S2 in the position shown (fig. 2).

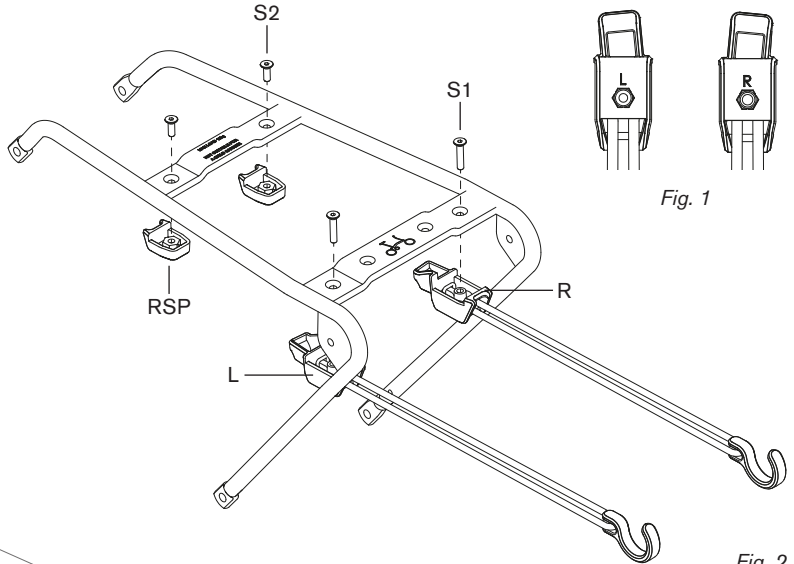


Fig. 2

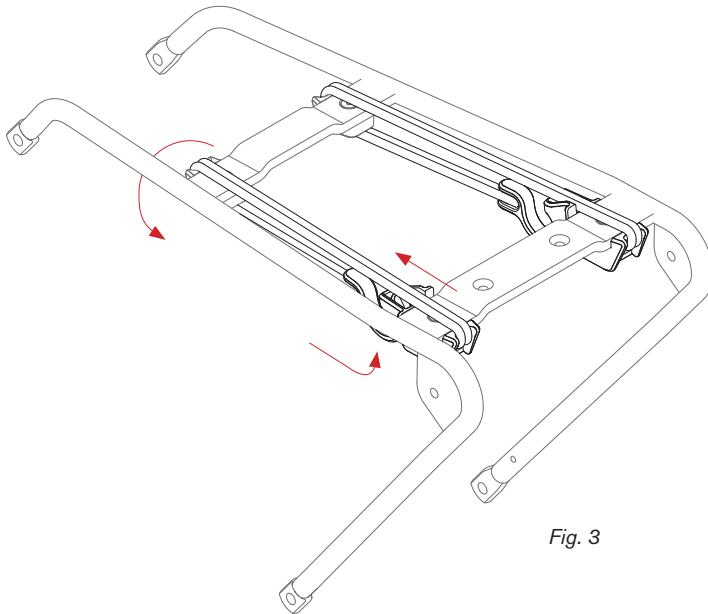


Fig. 3

### STORING THE STRAPS

To store the straps away when not in use, fold the straps over and under the rack strap protectors, and attach the hook into the slot in the retention block (fig. 3).

