

SUSPENSION BLOCK ASSEMBLY

FITTING INSTRUCTIONS

- Assemble the parts as shown (fig. 1)
- Hold the buffer disc BD and tighten the nut until the bolt penetrates fully through the nut, with at least one thread from the end of the bolt B showing through the end of the nut
- For an older bike without the RF clip, the assembly is shown (fig. 2)
- Before assembly apply grease to the plain section of the bolt B
- Make sure that the headed bush C is fitted as shown, engaging correctly with the rear frame USPL

If you are unsure of the correct fitting process please consult your Brompton dealer. We cannot accept responsibility for any failures due to incorrect fitting or maintenance.

Fig. 1

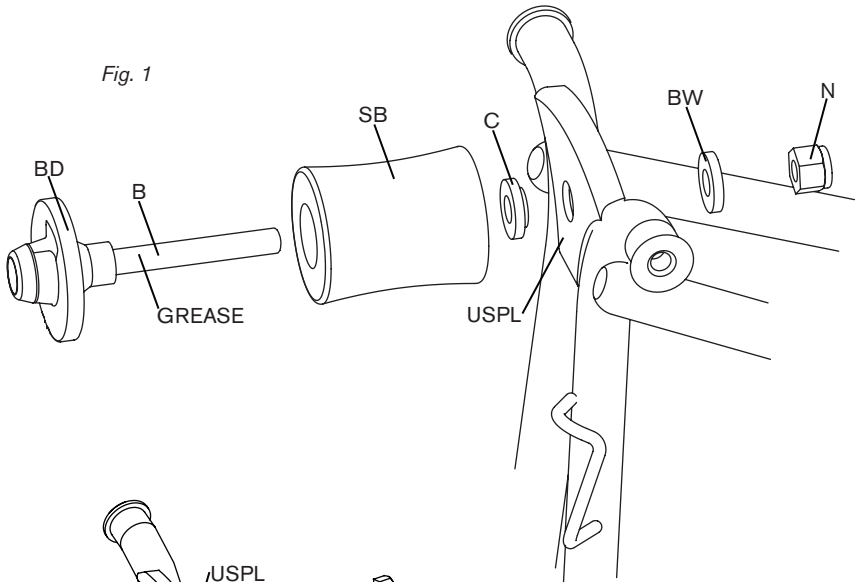


Fig. 2

